

# PROCARE

HOME MEDICAL

**4215 Credit Union Dr.**  
**Anchorage, AK 99508**  
**907-274-0770**

**915 30th Avenue**  
**Fairbanks, AK 99701**  
**907-458-8912**

**35563 Kenai Spur Hwy.**  
**Soldotna, AK 99669**  
**907-260-4433**

**901 N Leatherleaf Lp.**  
**Wasilla, AK 99654**  
**907-357-7882**



## Suction Machine Instructions

## General Information

Your physician has prescribed a home suction machine for you. The suction machine should be used only as your physician prescribes. If your physician prescribes a different usage of the suction machine, it is your responsibility to notify Procure Home Medical at 1-877-274-0770. **The suction machine can be dangerous if misused.**

### General Precautions

- Read the suction machine manual provided. If you have a question concerning the operation, maintenance or safety of the suction machine, please call our office at Anchorage 907-274-0770 or Fairbanks 907-458-8912.
- Use this product only for its intended purpose.
- Keep power cord away from heated surfaces.
- Never use while drowsy or asleep.
- Never operate equipment if:
  1. It has a damaged cord.
  2. It is not properly working.
  3. It has been dropped or damaged.
  4. It has been dropped into water.

### 24-Hour Emergency Service

- If the unit fails and you cannot correct the problem or if you have questions concerning the operation, maintenance or safety of your machine, you may call our office at 1-877-274-0770, ask for the Procure person on call, the on-call person will return your call as soon as possible.
- Procure Home Medical has trained representatives able to assist you with questions or troubleshooting your equipment. The goal is to restore your service as quickly as possible.

## Suction Machine Instructions

Your suction machine is a compact medical suctioning device, which has been designed for reliable, portable operation for the purpose of collecting nonflammable fluid materials in medical applications only. Because of its small size, light weight design and DC operation, the suction machine is ideal for providing suctioning in the home, in-transport with the optional DC cord, or anywhere with the battery option.

### Suction Machine Placement

- Outlets should be grounded and extension cords should not be used.
- It should be kept away from radiators, heaters or hot air vents.

### Important Parts of the Suction Machine

#### with Disposable Container and Filter Cartridge

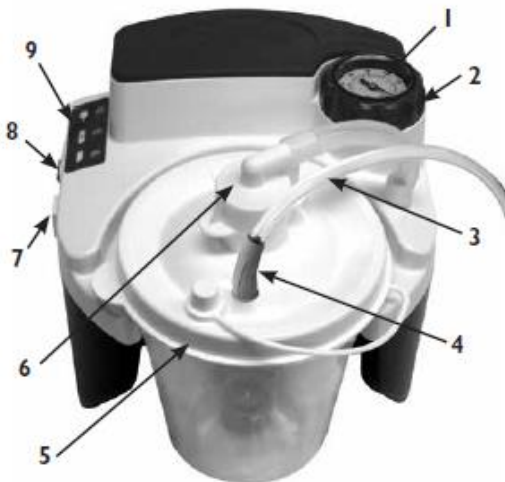
1. Vacuum gauge
2. Vacuum regulator knob
3. 6' patient tubing
4. Patient tubing connector
5. Disposable container with lid (float shut off incorporated into lid) and filter cartridge
6. Filter cartridge with 4 3/8" tubing
7. DC power input (on side)
8. Power switch
9. LED power lights

AC to DC adapter (not shown)

DC power cord (not shown) optional

Internal rechargeable battery (not shown) 7314P series only

Carrying case (not shown) 7314P series only



#### with Reusable Container and External Bacteria Filter

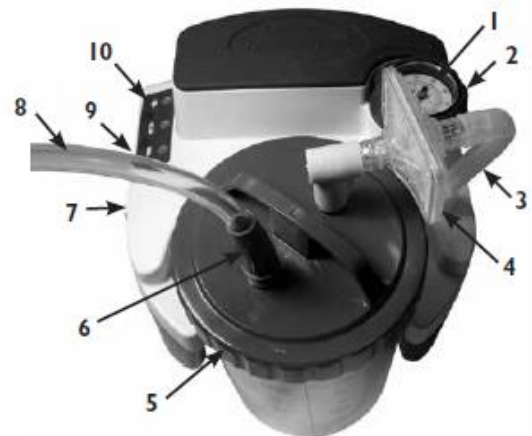
1. Vacuum gauge
2. Vacuum regulator knob
3. 4 3/8" connection tubing
4. External bacteria filter
5. Lid
6. Patient tubing connector
7. DC power input (on side)
8. 6' patient tubing
9. Power switch
10. LED power lights

AC to DC adapter (not shown)

DC power cord (not shown) optional

Internal rechargeable battery (not shown) 7314P series only

Carrying case (not shown) 7314P series only



### Set-Up

1. Connect either end of the 4" tubing to the tubing connector then connect the other end to the bacteria filter.
2. The bacteria filter should then be connected to the 90 degree elbow connection and the 90 degree connection should be connected to the top of the collection bottle labeled (Vacuum).
3. The 6' patient tubing should be connected to the collection bottle at the outlet labeled (Patient).
4. Assure that all connections are secure and without leaks before using.

## Suction Machine Operation

1. Inspect suction tubing and collection bottle for leaks and cracks before operation.
2. Plug in machine.
  - Before connecting the unit to the AC adapter or DC cord, make sure that the suction machine is in the off position.
  - *AC / DC operation* - Plug the small connector in to the suction machine. Plug the AC / DC plug in to the appropriate outlet.
  - *Battery* - Allow battery to charge fully over a 24 hour period.
3. Turn on switch.
  - The power indicator light will indicate which power source is being used by staying continuously lit when external power is connected.
  - LED Explanations:
    1. L1 – Green – External power supplied to the suction machine from AC power source or DC cord. Illuminated when external; power is supplied
    2. L2 – Yellow – Battery is being charged. Light will go out when battery is fully charged
    3. L3 – Red – Low battery. Seek another power source and charge battery as soon as possible when light remains continuously.
4. Adjust the vacuum level from 80 to 550 mm Hg by turning the vacuum regulator located on the side of the suction machine. Clock wise to increase and counter clock wise to decrease vacuum.
  - To read the gauge, block the patient end of the hose or cap off the collection bottle and allow the gauge to reach a stable vacuum reading.

Note – gauge is for reference only. If suction machine is dropped gauge should be checked

## Cleaning the Disposable Suction Supplies

Part 1 – Clean After Every Use:

- After each use take disassemble disposable suction supplies.
- Wash with warm soapy water. (unscented liquid detergent only i.e. Joy)
- Rinse in hot running water for approximately 30 seconds.
- Allow to Air dry

Part 2 – Disinfect Daily:

- Once a day, soak in decontaminate solution - - one part white vinegar to three parts water. (Discard after each use.)
- Disposable suction supplies: Soak equipment for 20-30 minutes
- Rinse in hot running water for approximately 30 seconds.
- Allow to Air dry
- When completely dry, reassemble equipment and return to use. If equipment is not going to be used right away, store in a plastic bag until needed.

## Maintenance

- Bacteria filter should be replaced every two (2) month or when over flow occurs.
- Battery requires 24 hours to fully charge.
- Battery should be recharged at least every six (6) months.
- When charging the battery, the battery charging indicator light will remain lit. If your suction machine does not hold a charge contact Procure Home Medical to schedule for service.
- A fully charge battery provide approximately **60 minutes** of continuous operation at zero vacuum level.
- The suction machine should have preventive maintenance performed every six (6) months.
- Patients may call to schedule delivery, supplies or maintenance Monday through Friday 8 am - 5 pm.

## **Trouble Shooting**

### Problem #1

- Unit does not turn on.
  1. Check power source and connections.
  2. Ensure wall outlet has power.
  3. If battery powered, insure that battery is fully charged.

### Problem #2

- Pump runs but there is no vacuum.
  1. Check that all tubing is connected properly.
  2. Check tubing connections for breaks or leaks.
  3. Ensure that flow shut off is not activated.
  4. Check for leaks or cracks in bottle assembly.

### Problem #3

- Low vacuum.
  1. Use vacuum adjustment knob to increase vacuum level.
  2. Check system for leaks.
  3. Push vacuum adjustment knob and then release.

### Problem #4

- Battery will not hold a charge.
  1. Verify that battery charge light turns on.
  2. Check electrical connections during charging.
  3. Ensure wall outlet has power.

Warning – if the suction machine does not receive an external power source or the battery does not get recharged immediately, the low battery indicator light will remain on and the performance of the suction machine will drop off rapidly.

Caution – completely draining the battery will shorten the battery life. Do not operate suction machine more than a few minute if the low battery light is on. Recharge as soon as possible.